

Model 3960-3963



## Turntable

Smooth four-way transfers



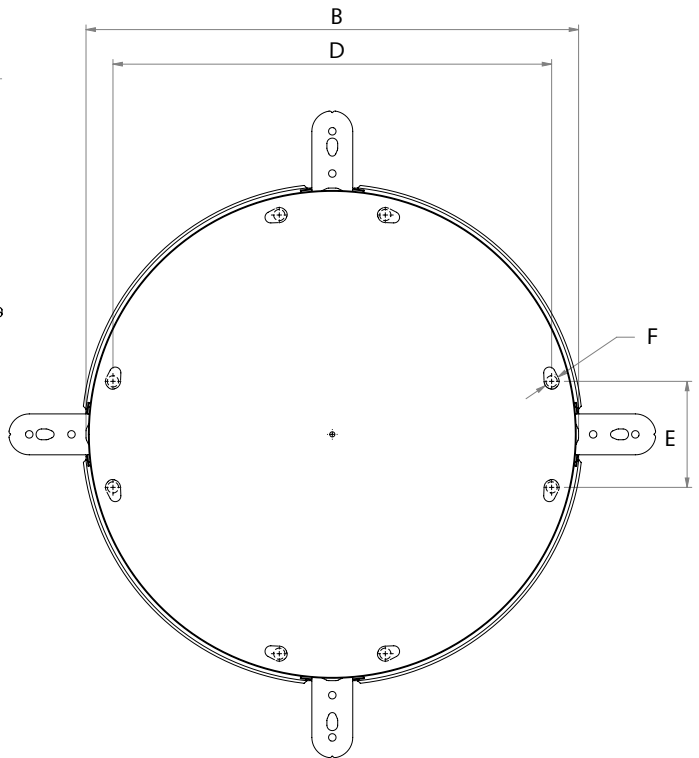
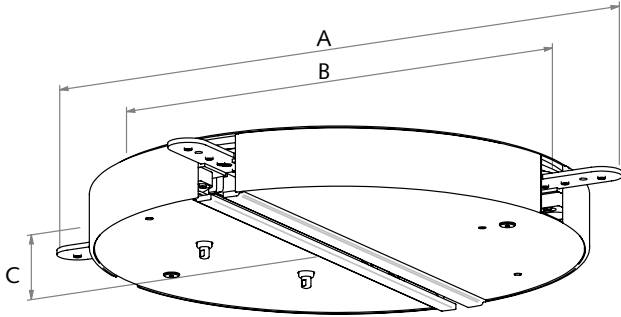
- The turntable allows a ceiling track system with a fixed motor to move in four directions. Access several rooms and reach different locations with one system. Go where transfers are needed, the bed, toilet, bathtub, shower, change table, or recliner.
- Ideal for small spaces requiring access to multiple transfer locations.
- Wireless remote control version is available.
- No separate power supply is required, the turntable is powered by the ceiling motor batteries.
- Rail profile allows the system to be installed flush to the ceiling in some situations.

Lift & Care systems for people with reduced mobility

[www.handimove.com](http://www.handimove.com)

# Turntable

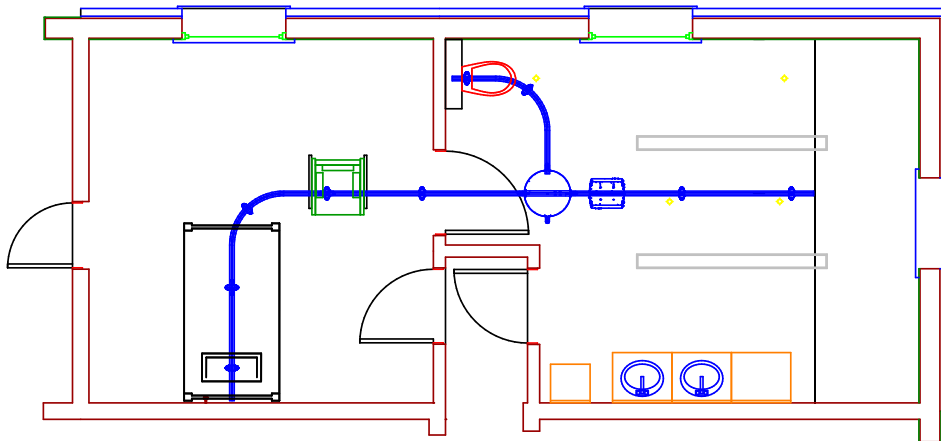
## ● Dimensions (mm)



A .....	690
B .....	∅ 525
C .....	71,5
D .....	467,5
E .....	113
F .....	∅ 16

## ● Technical specifications

Safe working load .....	240 kg
Power supply .....	Works on ceiling motor batteries
Material .....	Aluminum painted, ELVZ steel, POM, ABS



For free demonstration or further information